

Deimco's MD Series Powder Booths

The "New" PLC Controlled Deimco Powder Booth will provide a complete inline spray containment enclosure with primary and secondary air filtration. All MD Series booths have a PLC in the self-contained electrical panel making automatic gun control affordable for your present or future needs.

The "New" MD Series Booths also include a pneumatic panel and a separate rollaway filter cartridge module for captured powder containment.



Features:

- Pre-Engineered Booth
- Detachable Filter Module
- Compact Design
- Shop Tested
- Advanced Filter Technology
- Low Air-To-Cloth Ratios
- 18 Gauge Stainless Steel Canopy & 11 Gauge Seamless Stainless Steel Canopy

Optional Features:

- Automatic Gun Trigger Control
- Low Level Powder Control
- Manual or Powered Booth Roll-Off

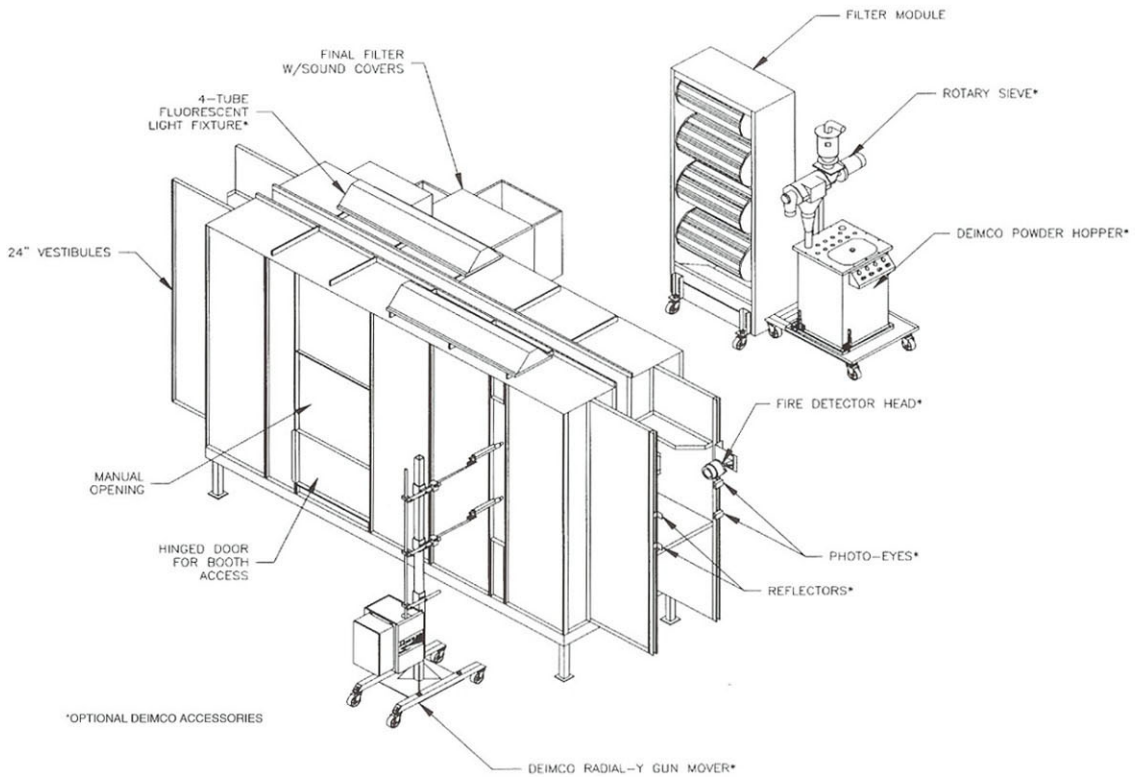
Benefits:

- Easy Installation
- Fast Color Change
- Reduces Floor Space Demands
- Ready for Utility Connections When Shipped
- No Outside Air Make-up Needed
- Long Filter Life
- Rugged Construction

Benefits:

- Reduces Powder Recycle Ratios
- Automatic Powder Fill Reduces Downtime
- Fast Color Change

Typical Deimco Powder Booth Layout



The Deimco Powder Booths are built in configurations to meet almost any application requirement. A Deimco Powder Booth reduces floor space demands. The narrow profile canopy, side draft filter module, and floor level operator positions optimize valuable finish area floor space.

Deimco has a nationwide network of knowledgeable distributors anxious to help you with your powder coating needs. Please call us at 1-800-728-8806 to find the Deimco distributor nearest you.

Design Standards

- Booth engineered to meet or exceed nationally recognized criteria
- NFPA 33 spray booth standards for powder application
- NFPA 79 electrical standards for industrial equipment
- OSHA 1910.107 hazardous materials
- UL508A electrical standards

Deimco Cartridge Style Powder Spray Booths

The Cartridge Filter Module Style Powder Booth is an efficient and easily maintained powder recovery system. The detachable filter module positions against the canopy side wall and draws powder onto the horizontal filter cartridges inside the filter module. High quality filters and low air-to-cloth ratios ensure long filter life and maximum powder recovery efficiency.

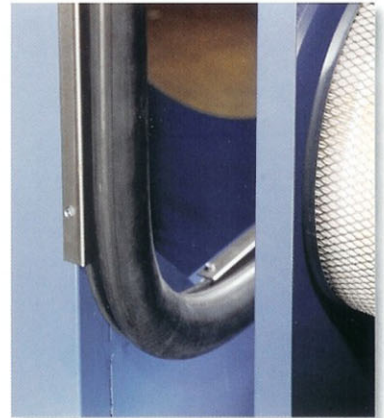
The Deimco Filter Module includes a fluidized bed and high volume transfer pump. With the optional low-level control option, powder can be automatically transferred to a remote mounted sieve. When overspray powder is not recycled, the same pump is used to transfer powder to a scrap container. All filter modules feature:

- High Efficiency Filters
- Reverse Blast Cleaning
- Low Air-To-Cloth Ratio
- Epoxy Powder Coated 14 Gauge Steel
- Swivel Casters
- High Volume Transfer Pump
- Fluidized Bed

“New” Deimco Inflatable Seal

- Positive Air Seal
- Eliminates Powder Contamination
- Fast Color Change
- “New” Positive Mate Filter Module Frame

The “New” Deimco Pneumatic Seal provides a positive seal between the filter module and air plenum. The seal is inflatable with air supplied by a pressure-regulated supply system provided with the booth. When pressurized, the seal conforms to Deimco’s “New” Positive Mate Filter Module Frame and provides an efficient, reliable barrier to dust and contaminants. The operating pressures are usually in the range of 2 to 5 PSI.



Deimco Automatic Powder Systems

The Deimco UCS-1000 Automatic Gun Triggering Powder System combines our proven PLC gun control logic with our modular booth design to provide a reliable and affordable Gun Control System. The UCS-1000 is an electronic Programmable Logic Controller (PLC) processor control that identifies conveyORIZED parts ahead of the finish booth. The controller signals the finish guns inside the finish zone when the part has advanced to the spray application position, the guns turn “off” after the part passes. Each pair of guns are individually controlled for minimum overspray. The PLC is included with all “New” MD Series Booths. With a simple addition of photo eyes, increment generator, and gun output signals are all that is required to change your booth to an efficient automatic booth.

The control package provides the central PLC Control enclosure with a signal from the proximity switch for conveyor increment generation, part sense photo eye plus booth operator controls.

The PLC will also support the following optional equipment:

- Powder Hopper Level Control
- Automatic Powder Sieve Control
- Multiple Level Spray Zones
- Low Level Powder Alarm
- Automatic Movable Gun Bases
- Interlocked Fire Detection System



Shown with optional “New” Data Change Console

Deimco Powder Accessories

Deimco Stainless Steel Powder Hoppers

The Deimco Powder Hoppers are available in 50 lb., 100 lb. and 200 lb. sizes. The Deimco Stainless Steel Hoppers include:

- Easy clamp-on caster base
- Large quick fill lid
- Self-contained air controls
- 2" Vent
- Hoppers pre-drilled for pump mounting



Deimco Rotary Sieve System

The Deimco Rotary Sieve System is complete with all interlocks and cart-mounted as shown or as a filter module-mounted system. The Deimco Rotary Sieve may be purchased with a 100 lb. or a 200 lb. hopper or without hoppers. The system includes:

- Kemutec rotary sieve
- High volume powder receiver with vent assist
- Sturdy powder coated caster base
- Self-contained control system with air interlocks

The Deimco Rotary Sieve Systems have proven to be a low maintenance, highly efficient, easy to operate answer for reclassifying recycled powder.



Deimco Radial "Y" Gun Mover

The Deimco Radial "Y" Gun Mover pivots powder spray guns continually in 30 degree arcs while the product moves past the gun tip. The Radial "Y" has a fingertip speed control adjustment knob and a standard caster base. The radial movement offers several advantages in powder application including:

- Reduces banding compared to fixed guns
- Improves film build consistency
- Increases the "Finish Window" by 100% over fixed gun mounted systems
- Directs powder into shadowed and complex parts by changing gun angle

Any number of guns can be mounted, please specify at time of order.

